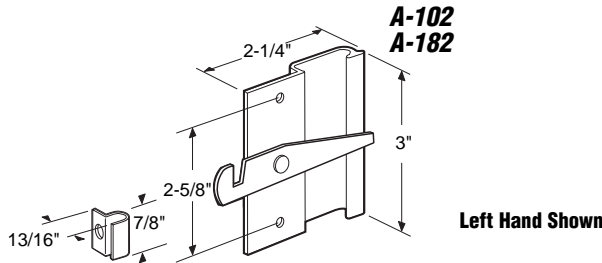
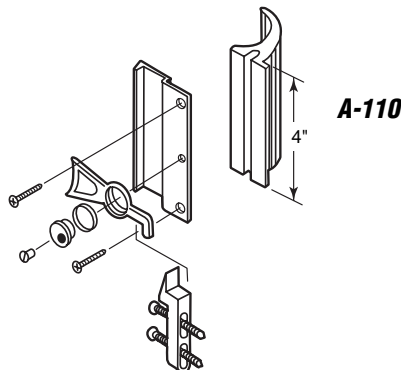
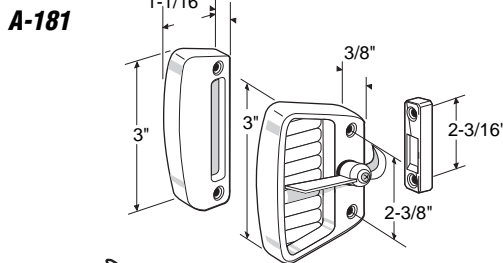
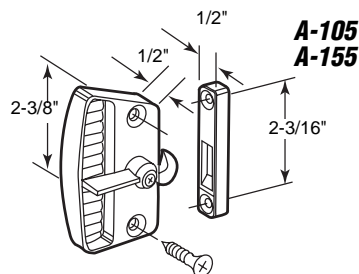
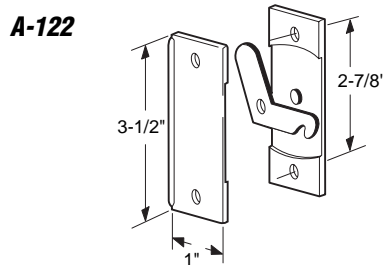


Left Hand Shown



Left Hand Shown



A-100 (Left hand)
A-101 (Right hand)

Latch and Pull (Anodized aluminum)

Contents: 1 inside pull; 1 strike; installation screws.

Description: Surface-mount; used by many manufacturers.

You may wish to stock these related parts: **A-116**.

A-102 (Left hand)
A-182 (Right hand)

Call for Availability

Latch and Pull (Anodized aluminum)

Contents: 1 inside pull; 1 strike; installation screws.

Description: Surface-mount; used by many manufacturers.

You may wish to stock these related parts: **A-116**.

A-122 (Black)

Latch and Pull (Plastic)

Contents: 1 inside and outside pull; 1 steel lever latch; installation screws.

Description: Non-handed; surface mount; fits on by *Keller* doors.

You may wish to stock these related parts: **B-503, B-629**.

A-105 (Chrome)
A-155 (Black)

Deluxe Latch and Pull (Diecast)

Contents: 1 inside pull; 1 strike; installation screws.

Description: Non-handed; surface mount; used by many manufacturers.

You may wish to stock these related parts: **A-106, A-191**.

A-181 (Chrome)

Deluxe Latch and Pull (Diecast)

Contents: 1 inside pull; 1 outside pull; 1 strike; installation screws.

Description: Non-handed; surface mount; used by many manufacturers.

A-110

Latch and Pull

Call for Availability

Contents: 1 aluminum inside and outside pull; 1 diecast lock assembly; 1 strike; installation screws.

Description: Non-handed Universal application; surface mount.

You may wish to stock these related parts: **A-116, A-127, A-153**.

A-108 (Black)

Latch and Pull with Security Lock (Plastic)

Contents: 1 plastic inside and outside pull; 1 white lock and latch assembly with installation screws.

Description: Non-handed; complete with security lock; mortise installation; fits on *Anjac* doors.

You may wish to stock these related parts: **A-125, A-156, A-161, B-512, B-513.**

A-109 (Use on doors 1/2" thick)

A-157 (Use on doors 1" thick)

Latch and Pull with Security Lock (Black)

Contents: 1 inside and outside pull; 1 lock and latch assembly with installation screws.

Description: Non-handed; complete with security lock; mortise installation; plastic assembly; fits on *Columbia* doors.

You may wish to stock these related parts: **A-125, A-163, A-166, A-170, B-530, B-575, B-617, B-631.**

A-165 (New style A-109)

Latch and Pull with Security Lock (Black)

Contents: 1 inside and outside pull; 1 lock and latch assembly with installation screws.

Description: Non-handed; complete with security lock; mortise installation; plastic assembly; fits on *Columbia* doors.

You may wish to stock these related parts: **A-125, A-163, A-166, A-170, B-530, B-575, B-617, B-631.**

A-172 (Hat section style doors)

Latch and Pull with Security Lock (Black)

Contents: 1 inside and outside pull; 1 lock and latch assembly with installation screws.

Description: Non-handed; complete with security lock; mortise installation; plastic assembly; fits on *Columbia* doors.

You may wish to stock these related parts: **A-125, A-163, A-166, A-170, A-174, B-530, B-575, B-617, B-631.**

A-147 (Black)

Latch and Pull (Plastic)

Contents: 1 inside and outside pull; 1 lock and latch assembly with installation screws.

Description: Non-handed; complete with security lock; mortise installation; fits on doors by several door manufacturers including *Northrup Arch* and *Fran Meyer* doors.

You may wish to stock these related parts: **A-148, B-518, B-608, B-638.**

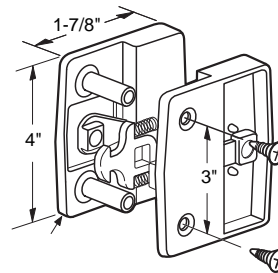
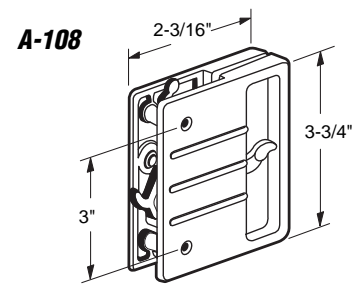
A-152

Latch and Pull (Anodized aluminum)

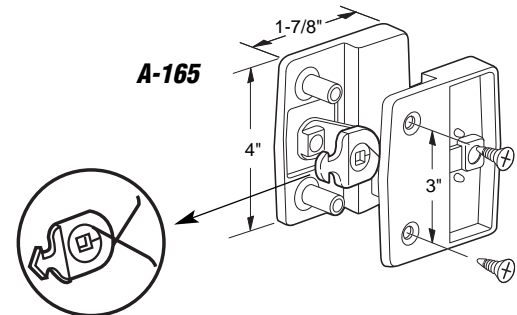
Contents: 1 inside and outside pull; 1 diecast internal latch assembly; 1 thumb turn; 1 diecast strike; 1 set of fasteners.

Description: Designed to fit 1-3/4" channel frame; mortise installation; non-handed; contains A-167 internal latch.

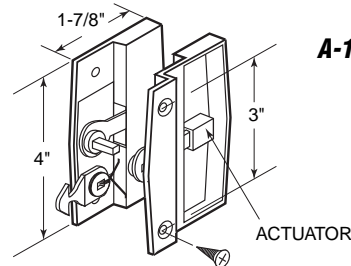
You may wish to stock these related parts: **A-127, A-130, A-167.**



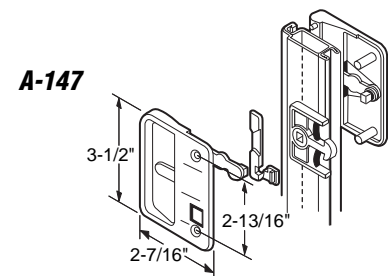
**A-109
A-157**



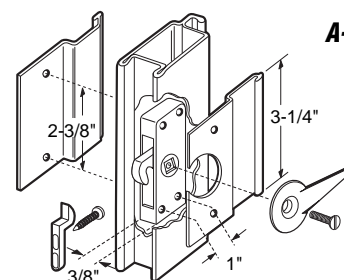
A-165



A-172

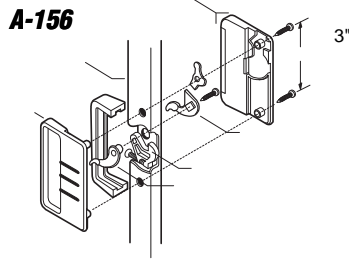


A-147

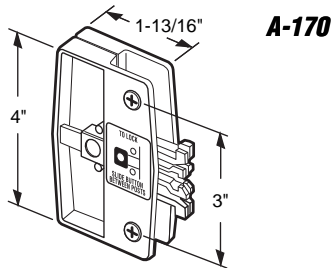


A-152

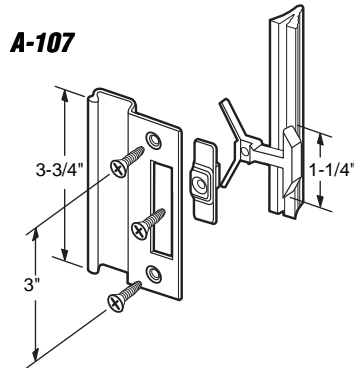
Call for
Availability



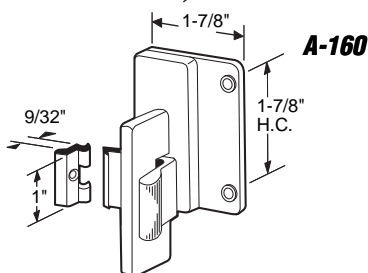
A-156



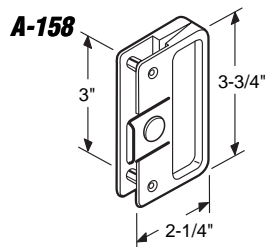
A-170



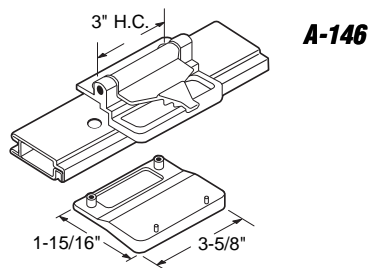
A-107



A-160



A-158



A-146

A-156 (Black)

Latch and Pull (Plastic)

Contents: 1 inside and outside pull; 1 **white** plastic lock and latch assembly; 1 spacer for **hat-section door applications**; installation screws.

Description: Non-handed; complete with **security** lock; mortise installation; fits on **Anjac** extruded frame doors.

You may wish to stock these related parts: **A-108, A-125, B-512, B-513.**

A-170 (Black - For 1/2" thick doors)

Latch and Pull (Plastic)

Contents: 1 inside and outside pull; 1 lock and latch assembly with screws.

Description: Non-handed; complete with **security** lock; mortise installation; fits on **Columbia/Sternco** doors.

You may wish to stock this related part: **A-171** (Strike).

A-107 (Clear anodized)

Latch and Pull

Contents: 1 **anodized aluminum** inside pull; 1 **extruded aluminum** outside pull; 1 two-piece **white plastic** latch assembly; installation screws.

Description: Non-handed; mortise installation; fits on **Trimview** screen doors.

You may wish to stock these related parts: **A-124, A-127, B-513, B-564.**

A-160 (Black)

Latch and Pull (Plastic)

Contents: 1 inside and outside pull with spring latch; 1 keeper; 1 set of fasteners.

Description: Surface mount; automatic latching; fits on **H&D Industries** and many other manufacturers.

A-158 (Black)

Latch and Pull (Plastic)

Contents: 1 inside and outside pull; installation screws.

Description: Non-handed; automatic latching feature; fits on **Rolleze** screen doors.

You may wish to stock these related parts: **C-1077, C-1078.**

A-146 (Black)

Latch and Pull

Contents: 1 **plastic** inside pull housing and **aluminum** flip latch combination; 1 **plastic** outside pull; installation screws.

Description: Non-handed; surface mount; no strike required; spring activated; fits on **Ador HiLite** screen doors.

You may wish to stock these related parts: **B-619, B-620.**

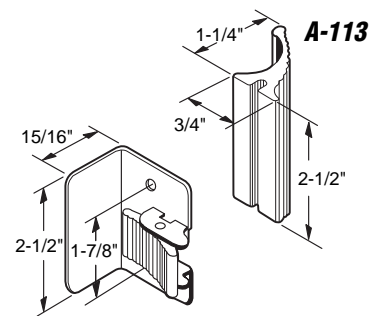
A-113

Latch and Pull (Clamp style)

Contents: 1 anodized inside pull; 1 extruded outside pull; installation screws.

Description: Non-handed; surface mount; spring activated latch; fits on *Fullview Doors*.

You may wish to stock these related parts: **B-527, B-528, B-537.**



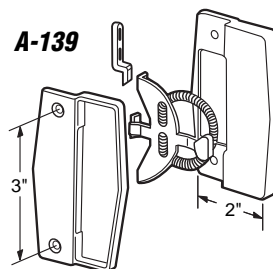
A-139 (Black)

Latch and Pull

Contents: 1 plastic inside and outside pull; 1 steel latch assembly; 1 diecast strike; installation screws.

Description: Non-handed; mortise installation; fits on *Academy, Better-Bilt* and other door manufacturers.

You may wish to stock these related parts: **A-111, A-119, A-127.**



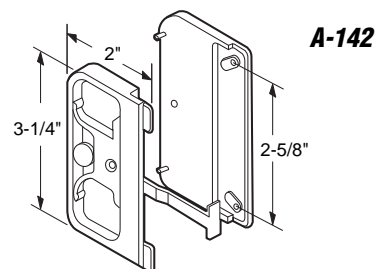
A-142 (Black)

Latch and Pull

Contents: 1 plastic inside and outside pull; 1 steel latch assembly; 1 plastic activator; 1 pop rivet; installation screws.

Description: Non-handed; mortise installation; used by several door manufacturers.

You may wish to stock these related parts: **A-148, B-518, B-608.**



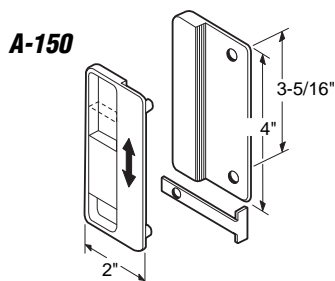
A-150 (Black)

Latch and Pull

Contents: 1 plastic inside pull, and latch activator; 1 plastic outside pull; 1 steel latch; installation screws.

Description: Non-handed; mortise installation; sliding activator; fits on *Jim Walters* sliding roll-formed screen door.

You may wish to stock these related parts: **B-512, B-513, B-570, B-604.**



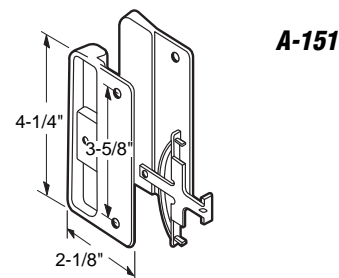
A-151 (Black)

Latch and Pull

Contents: 1 plastic inside pull and latch activator; 1 plastic outside pull; 1 steel latch assembly; 1 pop rivet; installation screws.

Description: Non-handed; mortise installation; sliding activator; fits on *Jim Walters* sliding roll-formed screen door.

You may wish to stock these related parts: **B-512, B-513, B-570, B-604.**



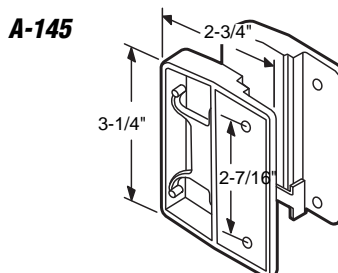
A-145 (Black)

Latch and Pull

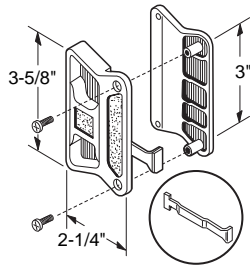
Contents: 1 plastic inside and outside pull; 1 steel latch; 1 plastic latch activator; 1 pop rivet; installation screws.

Description: Non-handed; used on roll-formed aluminum or steel screen door; used by several patio door manufacturers.

You may wish to stock these related parts: **A-148, B-518, B-608.**



A-168



A-168 (Black)

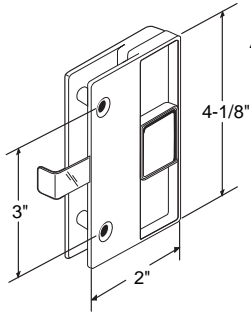
Latch and Pull

Contents: 1 plastic inside and outside pull; 1 steel latch; 1 plastic activator; installation screws.

Description: Non-handed; mortise installation; fits on *Superior Aluminum* doors.

You may wish to stock these related parts: **A-125, B-512, B-513, B-635.**

A-177



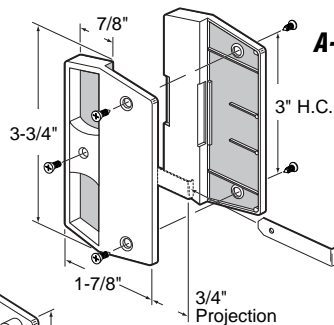
A-177 (Black)

Latch and Pull

Contents: 1 plastic inside and outside pull; 1 steel latch assembly; 1 plastic activator; installation screws.

Description: Non-handed; mortise installation; new style fits on *Columbiamatic* doors.

A-186



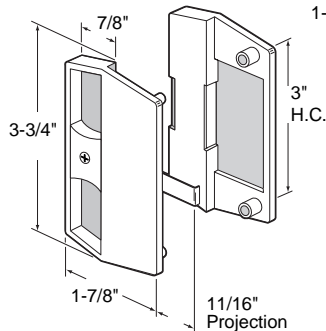
A-186 (Black)

Latch and Pull

Contents: 1 plastic latch assembly with steel hook; installation screws.

Description: Non-handed; mortise installation; used on 1/2" extruded and roll form doors.

A-180



A-180 (Black)

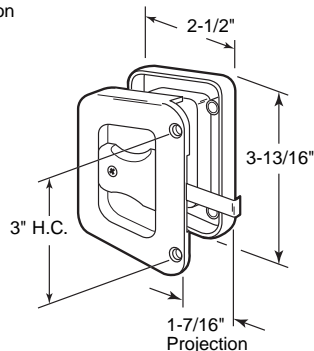
Latch and Pull

Contents: 1 plastic inside and outside pull; 1 steel latch assembly; 1 plastic activator.

Description: Non-handed; mortise installation; snap together design; fits on *Academy* Doors.

You may wish to stock these related parts: **B-512, B-513, B-570, B-604.**

A-187



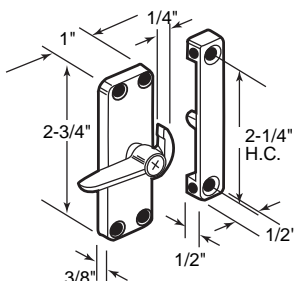
A-187 (Black)

Latch and Pull

Contents: 1 plastic inside and outside pull; 1 plastic latch activator, 1 steel latch, installation screws.

Description: Non-handed, mortise style latch, fits on *Hat Section* doors.

A-184 A-103 A-104



Right Hand Shown

A-184 (Chrome - left hand)

A-103 (Chrome - right hand)

A-104 (Black - right hand)

Latch (Diecast)

Contents: 1 latch and strike; installation screws.

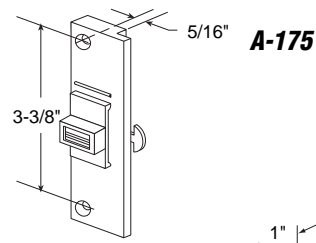
Description: Surface mount latch; side or face mount strike; can be used on single or double sliding doors; extremely versatile.

A-175 (Black)

Latch

Contents: 1 plastic latch assembly with steel hook; installation screws.

Description: Non-handed; mortise installation; fits on *Peachtree-Citation II*.

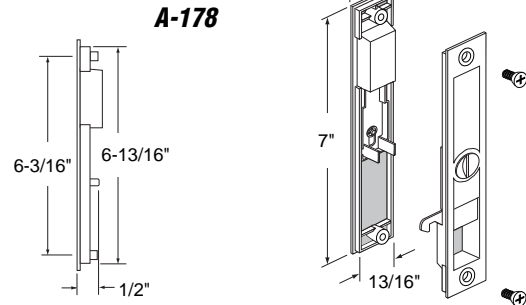


A-178 (Black)

Latch and Pull

Contents: 1 plastic inside and outside pull; 1 plastic activator; 1 steel hook; installation screws.

Description: Flush latch assembly; fits on *Columbia* extruded and roll form doors.

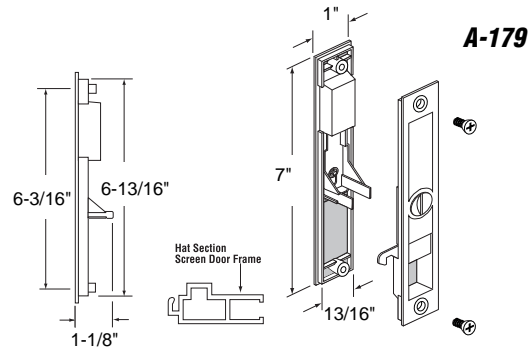


A-179 (Black)

Latch and Pull

Contents: 1 plastic inside and outside pull; 1 plastic activator; 1 steel hook and installation screws.

Description: Flush latch assembly; fits on *Columbia 1 inch* thick and *Hat Section* doors.

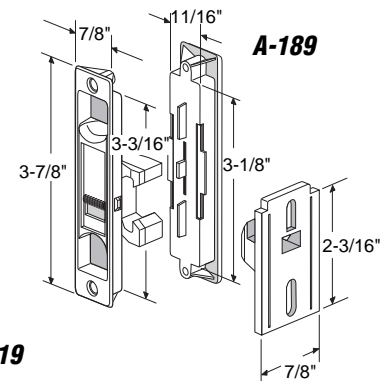


A-189 (Black)

Latch and Pull

Contents: 1 plastic inside and outside pull; 1 latch assembly; 1 strike and installation screws.

Description: Flush latch assembly fits on *Peachtree* doors.



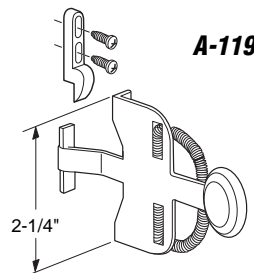
A-119

Latch

Contents: 1 steel cadmium plated latch; 1 black plastic finger tab; 1 diecast strike; installation screws.

Description: Non-handed; mortise installation; spring activated latch.

You may wish to stock these related parts: **A-111, A-112, A-127, A-139, B-514, B-515, B-569.**



A-120 (Aluminum latch)

A-194 (Black latch)

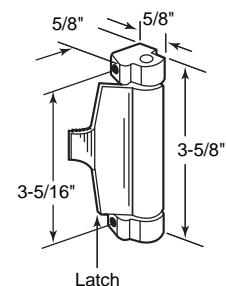
Latch

Contents: 1 inside latch.

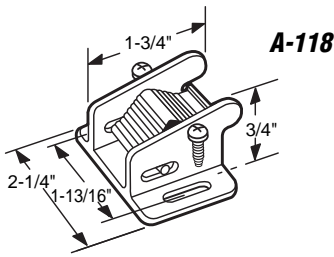
Description: Non-handed; spring activated aluminum flip latch; black plastic housing; no strike required; vertically adjustable; fits on *AdorHiLite* screen doors.

You may wish to stock these related parts: **B-543, B-544.**

A-120



Call for
Availability



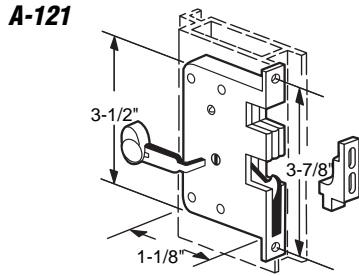
A-118

Latch

Contents: 1 diecast inside latch; installation screws.

Description: Non-handed; spring activated; no strike required; fits on *Premier* screen doors.

You may wish to stock these related parts: **A-116, B-512, B-513, B-533.**



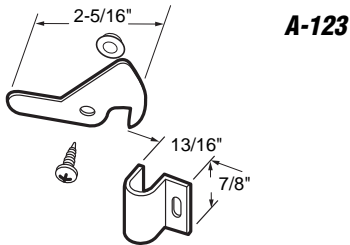
A-121

Latch

Contents: 1 plastic latch housing with steel hook; 1 latch lever; 1 strike; installation screws.

Description: Non-handed; mortise installation; used by several patio door manufacturers.

You may wish to stock these related parts: **A-111, A-112.**



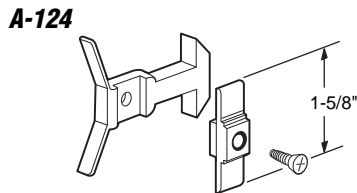
A-123

Latch

Contents: 1 aluminum lever latch and strike; plastic bushing; installation screws.

Description: Non-handed; surface mount; used by several patio door manufacturers.

You may wish to stock these related parts: **A-153, A-183.**



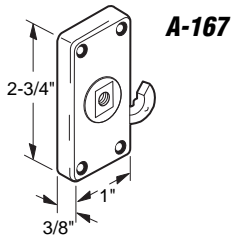
A-124 (White)

Latch (Plastic)

Contents: 1 latch and slide button; installation screws.

Description: Replacement latch for A-107 sliding screen door handle assembly.

You may wish to stock these related parts: **A-107, A-127.**



A-167

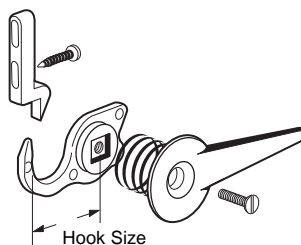
Latch

Contents: 1 diecast latch housing with hook.

Description: Internal mount latch; repair part for A-152.

You may wish to stock these related parts: **A-115, A-130, E-2062.**

A-135 - 3/4"
A-136 - 5/8"



A-135 (Medium hook - 3/4")

A-136 (Short hook - 5/8")

Latch Kit

Contents: 1 latch lever; 1 spring; 1 hook; 1 strike; installation screws.

Description: Diecast assembly; non-handed; mortise installation; fits on several patio door manufacturers.

You may wish to stock these related parts: **A-115.**

Sliding Screen Door

A-137 (Long hook - 15/16")

Latch Kit

Contents: 1 latch lever, 1 spring, 1 long hook, 1 strike, installation screws.

Description: Diecast assembly, non-handed, mortise installation, used by several patio door manufacturers.

You may wish to stock these related parts: **A-115**.

A-130 (No stop pin)
A-188 (With stop pin)

Latch Lever

Contents: 1 diecast latch lever, installation screw.

Description: Used to operate many styles of screen door latches.

You may wish to stock these related parts: **A-115, A-135, A-136, A-137, A-152**.

A-132 (Long hook - 15/16")

Replacement Hook for Latch Assembly

Contents: 2 hooks.

Description: Diecast hook

You may wish to stock these related parts: **A-115, A-130, A-131, A-135, A-137**.

A-133 (Medium hook 3/4")
A-134 (Short hook - 5/8")

Replacement Hook for Latch Assembly

Contents: 2 hooks.

Description: Diecast hook

You may wish to stock these related parts: **A-130, A-131, A-137**.

A-106 (Chrome)
A-191 (Black)

Pull

Contents: 1 diecast outside pull, installation screws.

Description: Used by many manufacturers, use with A-105 or can be used as individual outside pull.

You may wish to stock these related parts: **A-105**.

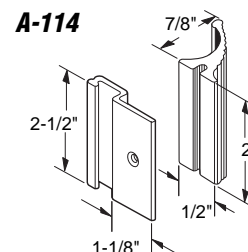
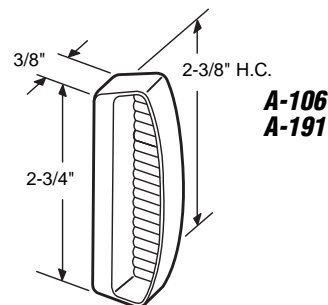
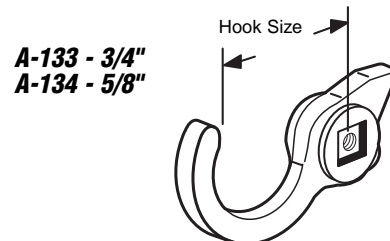
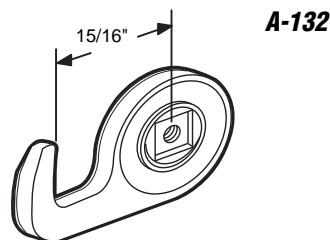
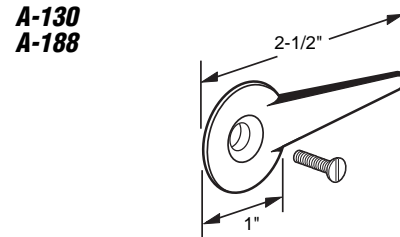
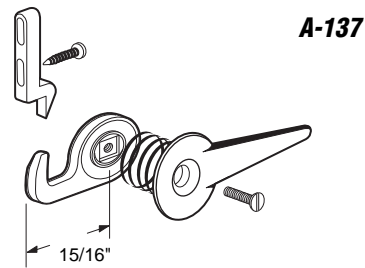
A-114

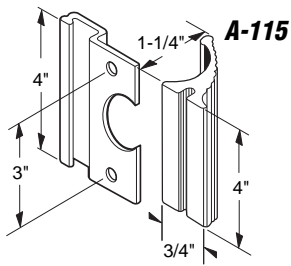
Pull (Anodized aluminum)

Contents: 1 inside and outside pull, installation screws.

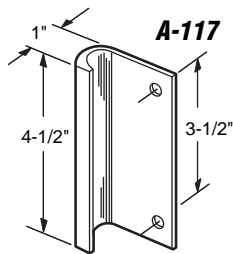
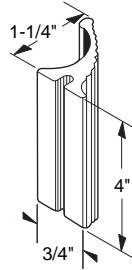
Description: Non-handed, surface mount, no latch required, ideal for secondary pull, used by many manufacturers.

You may wish to stock these related parts: **A-110, A-115, A-116**.

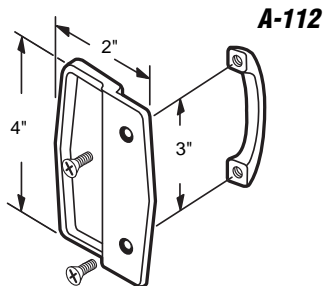
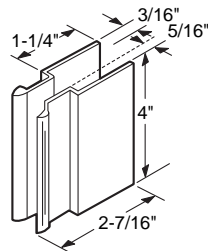




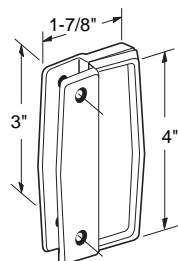
A-116



A-153
A-183



A-111



A-115

Pull (Anodized aluminum)

Contents: 1 inside and outside pull, installation screws.

Description: Non-handed, surface mount, designed to be used with latch assemblies A-135, A-136 and A-137.

You may wish to stock these related parts: **A-116, A-130.**

A-116

Pull (Anodized aluminum)

Contents: 1 outside pull; installation screws.

Description: Surface mount; used by many manufacturers.

You may wish to stock these related parts: **A-100, A-101; A-102, A-118.**

A-117

Pull (Anodized aluminum)

Contents: 1 pull, installation screws.

Description: Heavy duty unit to be used as inside or outside pull, surface mount, ideal secondary pull for children.

A-153 (Not drilled)

A-183 (3" hole centers)

Pull Set

Contents: 1 inside and outside pull, installation screws.

Description: 1 pull—3/16" deep, 1 pull—5/16" deep, used on doors 1/2" thick or more.

A-112

Pull

Contents: 1 black plastic inside pull, chrome plated diecast outside pull, installation screws.

Description: Non-handed, surface mount.

You may wish to stock these related parts: **A-119, A-121.**

A-111 (Black)

Pull Set

 (Plastic)

Contents: 1 inside pull; 1 outside pull; installation screws.

Description: Non-handed; surface mount; economy pulls; plastic assembly.

Sliding Screen Door

A-154

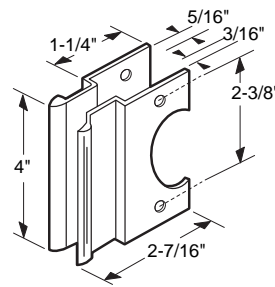
Pull Set (Clear anodized)

Contents: 1 inside & 1 outside handle; installation screws.

Description: Extruded, anodized aluminum pull set, for doors 1/2" thick or more.

You may wish to stock these related parts: **A-135, A-136, A-137.**

Call for
Availability



A-154

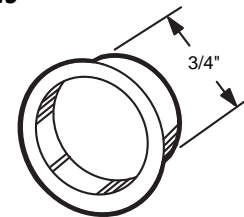
A-149 (Nickel-plated)

Sliding Screen Door Finger Pull

Contents: 4 pulls.

Description: Plated, stamped steel construction.

A-149



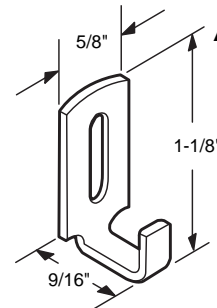
A-125

Latch Strike

Contents: 2 steel strikes, installation screws.

Description: Used by many door manufacturers.

You may wish to stock these related parts: **A-164.**



A-125

A-161 (Heavy duty)

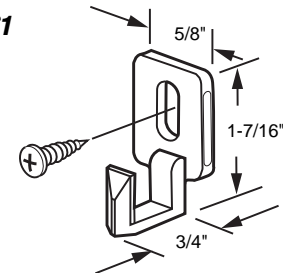
Latch Strike

Contents: 1 strike, installation screws.

Description: Diecast strike, used by many screen door manufacturers.

You may wish to stock these related parts: **A-108, A-109.**

A-161



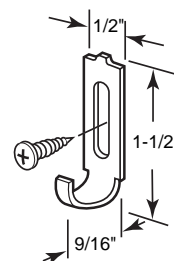
A-163

Latch Strike

Contents: 2 strikes, installation screws.

Description: Stamped steel strike, used by *Columbia* doors.

You may wish to stock these related parts: **A-109, B-530, B-575, B-617, B-631.**



A-163

A-174

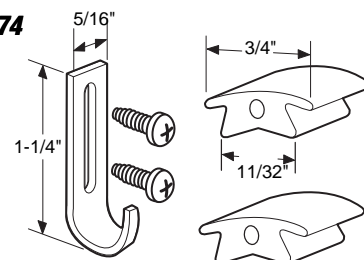
Latch Strike

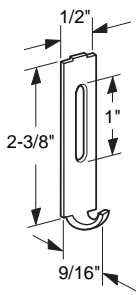
Contents: 2 steel strikes, 2 black vinyl top guides, installation screws.

Description: Narrow bodied screen door keeper, stamped steel, zinc plated, fits on *Columbia*.

You may wish to stock these related parts: **A-163, A-166.**

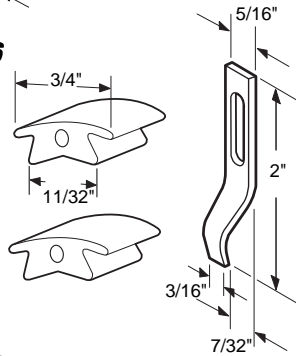
A-174



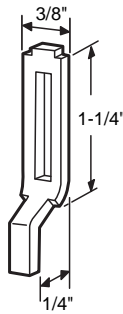


A-159

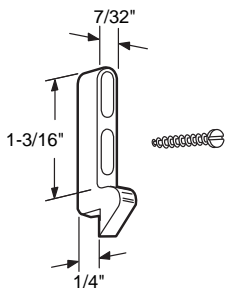
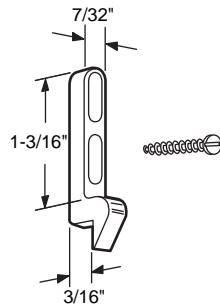
A-166



A-148



A-126

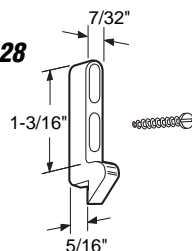


A-127



Old Style

A-128



A-159 (Heavy duty)

Latch Strike

Contents: 2 strikes, installation screws.

Description: Stamped steel, zinc plated strike, extended adjustment.

A-166

Latch Strike

Contents: 2 steel strikes, 2 black vinyl top guides, installation screws.

Description: Repair part for A-165, new style *Columbia* sliding screen door latch and pull.

You may wish to stock these related parts: **A-165**.

A-148

Latch Strike

Contents: 2 steel strikes, installation screws.

Description: Adjustable, used by many patio door manufacturers.

You may wish to stock these related parts: **A-142, A-145, A-147**.

A-126 (Narrow)

Latch Strike

Contents: 2 diecast strikes, installation screws.

Description: Adjustable, used by many patio door manufacturers.

A-127 (Medium)

Latch Strike

Contents: 2 diecast strikes, installation screws.

Description: Adjustable, used by many patio door manufacturers.

A-128 (Wide)

Latch Strike

Contents: 2 diecast strikes, installation screws.

Description: Adjustable, used by many patio door manufacturers.

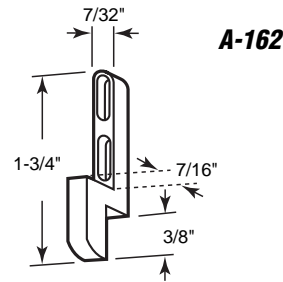
A-162 (Heavy duty)

Latch Strike

Contents: 2 diecast strikes, installation screws.

Description: Extra large hook-end strike, used by many patio door manufacturers.

You may wish to stock these related parts: **A-110, A-145, A-151.**



A-140 (Aluminum)

A-185 (Bronze)

A-190 (Latch only)

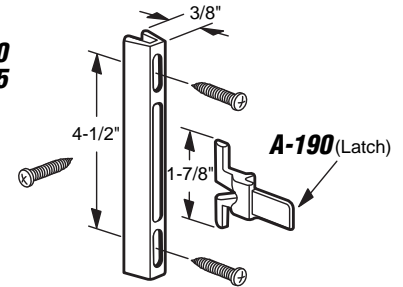
Latch and Strike

Contents: 1 plastic latch, 1 aluminum strike, installation screws.

Description: Non-handed, mortise installation, replaces old aluminum latch, fits on *International* doors.

You may wish to stock these related parts: **B-517, B-634.**

**A-140
A-185**



A-169 (White)

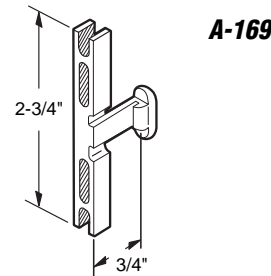
Latch Strike (Plastic)

*Call for
Availability*

Contents: 1 latch strike, installation screws.

Description: Adjustable, used by many patio door manufacturers.

You may wish to stock this related part: **B-582.**



A-171 (White)

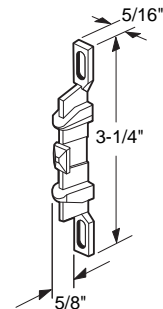
Latch Strike (Plastic)

Contents: 1 latch strike, installation screws.

Description: Adjustable, **adhesive backing** for proper placement prior to drilling jamb for screws, repair part for A-170.

You may wish to stock this related part: **A-170.**

A-171



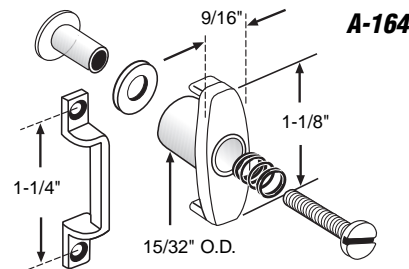
A-164

Door Latch Kit

Contents: 1 diecast latch, 1 diecast strike, 1 attachment screw and spring, 1 washer, 1 binder post nut, installation screws.

Description: Non-handed, surface mount kit includes: additional washer and binder post nut, to be used if original threaded nut in door stile has become worn, package insert illustrates how to drill out old nut and re-attach new replacement handle.

You may wish to stock this related part: **C-1095.**



A-141 (Black)

Screen Shield (Plastic)

Contents: 1 inside and outside panel.

Description: Protects area around screen door handle, easy, snap together installation, **no tools required**, works well with most sliding screen door handle assemblies.

